

Teros[™] Recloser

Guard the Grid with Confidence

G&W Electric
Engineered to order. Built to last.

Teros Meaning: "To guard or watch over"

TEROS™ RECLOSER Guard the Grid with Confidence

As a leader in the recloser industry, G&W Electric has a proven track record of innovating reliable power grid solutions in the Americas. With the Teros recloser, G&W Electric extends its commitment to quality and service to the global market.

The Teros is a durable and affordable three-phase 15kV and 27kV recloser for electric distribution systems. As a modular, turnkey solution, it offers reliable overcurrent protection, enhancing system reliability and grid resiliency.

Tested to IEC 622711-111 (2019)/ IEEE 37.60 (2018)

Cable Terminal Lugs

Solid Dielectric Insulation

Current & Voltage Sensors

Lifting Provisions

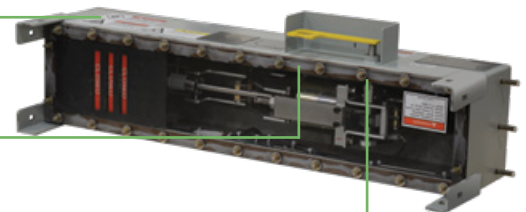
Pole Mounting Bracket Provisions

Manual Trip and Lockout Handle

Position Indicator

Magnetic Actuator

Physical Block



FEATURES AND BENEFITS

Simplified Mechanism

The Teros™ recloser utilizes time-proven cycloaliphatic epoxy resin as the solid dielectric insulating medium, within which the vacuum interrupter and all energized parts are completely sealed for maximum safety and reliability. Fault interruption is performed using vacuum fault interrupters, and the design supports both 50Hz and 60Hz systems. A hot stick-operable manual trip and lockout handle prevents operation from either the control or remote locations, while true mechanical blocking further guards against accidental closing. An open and closed contact indicator provides visual verification of contact position, and both contact status and lockout conditions can also be confirmed at the control.

Visibility

Viewing window on the mechanism cover allows for clear visibility of the position indicator from a safe distance.

Smart Features

Integration of 6 voltage sensors makes Teros fully site-ready for distribution automation applications and allows customers to be ready for any future automation needs.

Modular Platform

Simple, modular layout of the control components allows for fast and easy service throughout the life of the control, as well as the ease of adding future communication equipment.

Environmental

Standardizing on higher creepage modules and sealing the mechanism significantly reduces the potential of adverse conditions from damaging the recloser throughout its service life. Complies with IEC 60185-2-2008-10 SPS Class E requirements.

Reliability

G&W Electric's recloser experience and commitment to quality, service and support ensures the highest level of reliability.

Serviceability

Our recloser system, designed based on direct customer feedback, provides easy access to all electronic components. This design platform ensures that all the critical operating electronic components are inside the control instead of in the recloser mechanism.

RATINGS & SPECIFICATIONS

	15kV	27kV
Nominal Frequency (Hz)	50/60	50/60
Rated Maximum Voltage (kV RMS)	15.5	27.0
Nominal System Voltage (kV RMS)	15.0	25.0
Voltage Sensor Ratio	6000:1	6000:1
Voltage Sensor Accuracy (Load/Line)	+/-3%	+/-3%
Power Frequency Withstand- Dry (kV)	50	60
Power Frequency Withstand- Wet (kV)	50	60
BIL (kV)	125	150
Creepage Distances (mm, Line-to-Ground)	955	955
Phase Spacing on 3-Phase Units (mm)	381	381
CT Ratio	600/300:1	600/300:1
CT Accuracy	+/-1%	+/-1%
Continuous Current (A RMS)	800	800
Short-Circuit Breaking Current (kA, RMS Symmetrical)	16.0	16.0
Short-Time Current Withstand Current (3 Seconds)	16.0	16.0
Peak Withstand Current (kA)	41.6	41.6
Short-Circuit Making Current (kA, Peak)	41.6	41.6
Line-Charging Breaking Current (A)	5	5
Cable-Charging Breaking Current (A)	25	25
Arc-Extinction Medium	Vacuum	Vacuum
Insulation Medium	Solid Dielectric	Solid Dielectric
Mechanical Operations	10,000	10,000
Normal Operating Temperatures (°C)	-40 to +65	-40 to +65
Weight (kg)	225	225

APPLICATIONS

PROTECTIVE APPLICATIONS

- Reclosing
- Fault Location
- Temporary Fault Identification
- Over/Under Voltage Protection
- Frequency Protection
- Phase/Neg Sequence Protection

SECTIONALIZING/SWITCHING

- Remote and Local Loadbreak Switching
- Feeder Tie Switch
- Sectionalizer

AUTOMATION PLATFORM

- System reconfiguration
- Automatic transfers

CONTROL OPTIONS

- SEL-651RA Recloser Control, Ingeteam INGEPAC™ PT5 Relay Control (Standard Control)
- Standard control box: 564mm x 359mm x 797.5mm
- Optional control box: 450mm x 400mm x 350mm) available for radio and 40hA battery.



Ingeteam INGEPAC™ PT5 Relay Control

CONTROL FEATURES

- Ensures seamless integration between controller and recloser device
- Supports the latest in communications technologies and protocols (DNP, IEC 61850, etc.)
- Provides standard security tools to ensure that device integration into new or existing SCADA, OMS or DMS is simple and secure



AVAILABLE OPTIONS & ACCESSORIES

FRAMES	CABLE LENGTHS	RELAY	CONTROL	LUG	BIRD GUARD	ARRESTOR BRACKET PROVISIONS
Alley Arm	10m	GE R650 (Mild Steel)	Provisions for Radio	Aerial Clamp Type (Cable Range: 35mm - 240mm ²)	None	None
Cross Arm	3m	GE R650 (Stainless Steel)	Heater	NEMA 2 Hole	Included	Source & Load Side Brackets
Substation	6m	Ingeteam INGEPAC™ DA PT5 (Mild Steel)		NEMA 4 Hole		
	15m	Ingeteam INGEPAC™ DA PT5 (Stainless Steel)		None		
	18.1m					
	21.5m					

 Standard Model

 Pre-Engineered/Site-Ready Solutions

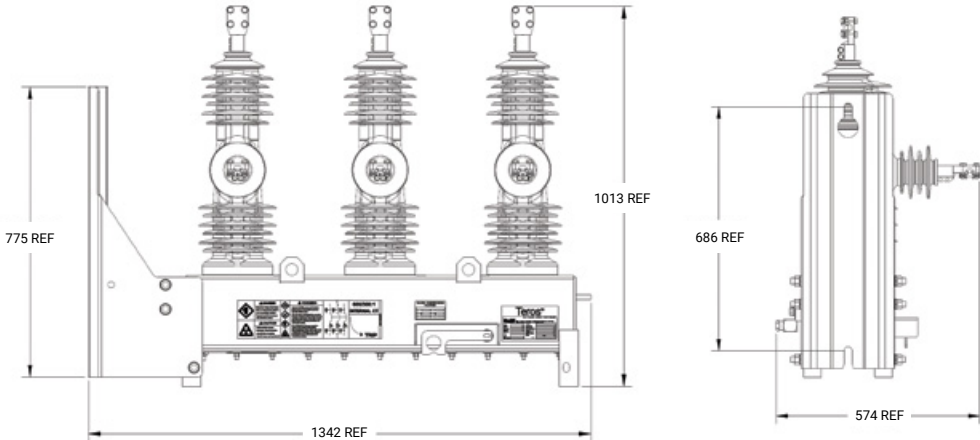
ORDERING/CATALOG INFORMATION

CATALOG STRUCTURE				
Product Abbreviation	Number of Phases	Voltage Class	Continuous Current	Type
TER	3 = Three Phase Ganged	7 = 15.5kV	8 = 800A	16 = 16.0kA Interrupting
	3 = Three Phase Ganged	8 = 27kV	8 = 800A	16 = 16.0kA Interrupting

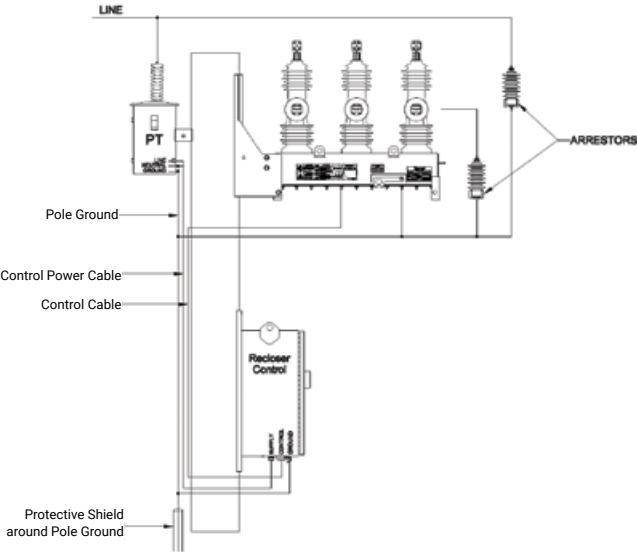
Example: TER-376-ER-16 for 15kV Class Recloser and TER-386-ER-16 for 27kV Class Recloser

CONFIGURATIONS

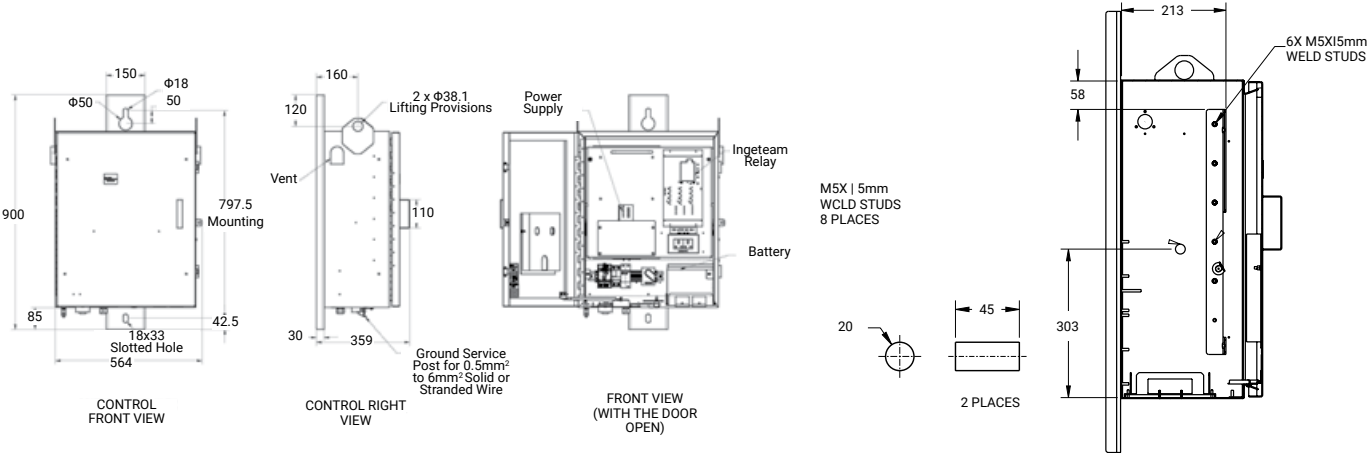
Alley-Arm Frame Standard



Center Pole Frame – Optional



Standard Control box



SECTION D-D

Dimensions are approximate. Do not use for construction.



DISTRIBUIDOR AUTORIZADO:

Teléfono: +52 (81)8365-0229
ventas@altatecnologia.com.mx
altatecnologia.com.mx

Contact us today

+1.708.388.5010 or info@gwelectric.com



Engineered to order. Built to last.

Since 1905, G&W Electric has been a leading provider of innovative power grid solutions including the latest in load and fault interrupting switches; reclosers; sensors; system protection equipment; power grid automation; transmission and distribution cable terminations; and joints and other cable accessories. G&W Electric is headquartered in Bolingbrook, Illinois, U.S.A., with manufacturing facilities and sales support in more than 100 countries, including Canada, Italy, China, Mexico, Brazil, India and Singapore. We help our customers meet their challenges and gain a competitive edge through a suite of advanced products and technical services.